



96923



Phillips Flat Head
3/16 x 2-3/4



96922



Phillips Flat Head
3/16 x 2-1/4



96921



Phillips Flat Head
3/16 x 1-3/4



96920



Phillips Flat Head
3/16 x 1-1/4



96935 5/32 x 4-1/2

96936 5/32 x 5-1/2

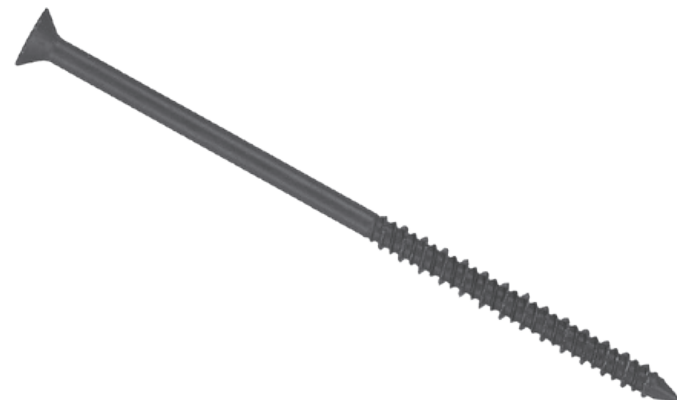
96938 3/16 x 4-1/2

96939 3/16 x 5-1/2

Hammerdrill Bit Storage



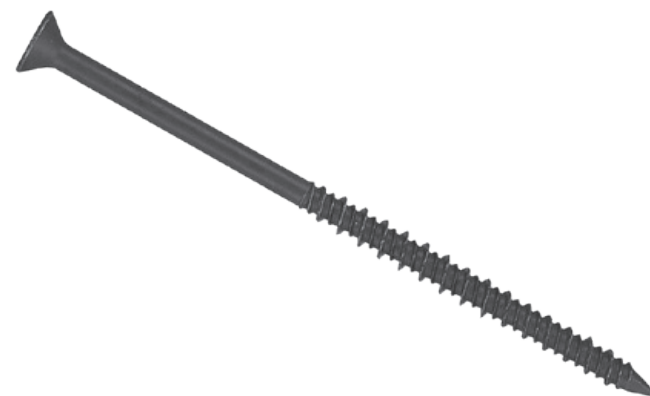
96926



Phillips Flat Head
3/16 x 4



96925



Phillips Flat Head
3/16 x 3-3/4



96924



Phillips Flat Head
3/16 x 3-1/4



96930



Phillips Flat Head
1/4 x 2-3/4



96929



Phillips Flat Head
1/4 x 2-1/4



96928



Phillips Flat Head
1/4 x 1-3/4



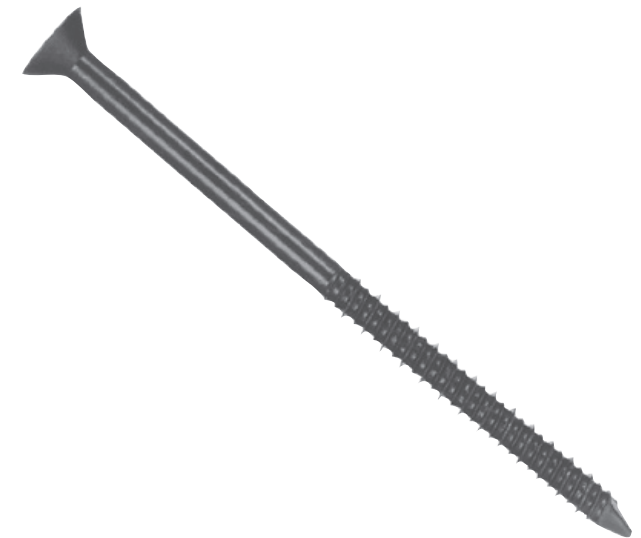
96927



Phillips Flat Head
1/4 x 1-1/4



96933



Phillips Flat Head
1/4 x 4



96932



Phillips Flat Head
1/4 x 3-3/4



96931



Phillips Flat Head
1/4 x 3-1/4