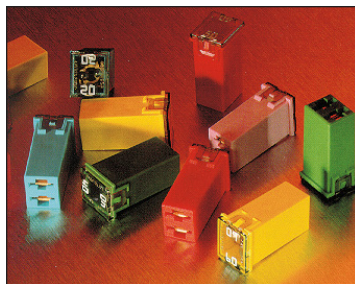


Product Information Report

JCASE® High Amp Fuses



Overview

Introduced in 1997, Littelfuse Inc. designed the JCASE® fuse to replace the MAXI® fuse and cartridge style fuses.

Currently OEM on many vehicle models. JCASE® fuses offer a smaller, space-saving footprint, which is being incorporated into the design of many OEM fuse blocks.

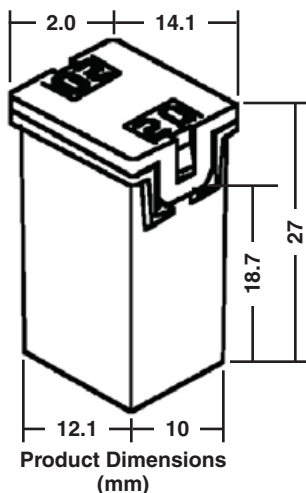
The patented technology provides both increased time delay (SLO-BLO) and a low voltage drop. Each fuse features an ANSI standard OCR-A font for ease in identification and inspection. A double spring-beam box terminal and unique secondary locking feature hold the terminal firmly and securely in place.

Note: Low-Profile JCASE® cartridge fuses are also available from Lawson Products.

Features/Benefits

- Double spring-beam box terminal maintains constant, firm contact for maximum reliability with very low insertion force
- Unique secondary locking feature holds metal terminal firmly in place in the plastic body eliminating terminal push-out
- Amperage rating clearly stamped with ANSI standard font (OCR-A) ensures improved readability by visual inspection systems
- Available in 20A, 30A, 40A, 50A and 60A ratings, each color-coded for easy identification

Specifications



Voltage Rating: 32V DC

Interrupting Rating: 1000A @32V DC

Insertion Force: 53N max. (12 lb.)

Extraction Force: 9N min. (2 lb.)

Item No.	Amps	Color Code	Industry No.	Maximum Voltage Drop (mV)	Typical Cold Resistance (mΩ)	Maximum Melting Current (A)
62194	20	Blue	JCAS 20	125	4.86	1,612
62195	30	Pink	JCAS 30	100	2.45	1,650
62196	40	Green	JCAS 40	100	1.52	3,656
62197	50	Red	JCAS 50	100	1.18	7,888
62198	60	Yellow	JCAS 60	100	0.95	18,220